

# STEERING SYSTEM

# SECTION ST

## CONTENTS

<b>PRECAUTIONS</b> .....	2	<b>TILT MECHANISM</b> .....	14
Supplemental Restraint System (SRS) "AIR BAG" and "SEAT BELT PRE-TENSIONER" .....	2	<b>STEERING TRANSFER GEAR</b> .....	15
Precautions for Steering System .....	2	Removal .....	15
<b>PREPARATION</b> .....	3	Installation .....	16
Special Service Tools .....	3	Inspection .....	16
Commercial Service Tools .....	5	<b>POWER STEERING GEAR AND LINKAGE</b> .....	17
<b>NOISE, VIBRATION AND HARSHNESS (NVH)</b>		Components .....	17
<b>TROUBLESHOOTING</b> .....	6	Removal and Installation .....	18
NVH Troubleshooting Chart .....	6	Disassembly .....	19
<b>ON-VEHICLE SERVICE</b> .....	7	Inspection .....	20
Checking Steering Wheel Play .....	7	BOOT .....	20
Checking Neutral Position on Steering Wheel .....	7	RACK .....	20
PRE-CHECKING .....	7	PINION ASSEMBLY .....	20
CHECKING .....	7	GEAR HOUSING CYLINDER .....	20
Front Wheel Turning Angle .....	7	TIE-ROD OUTER AND INNER SOCKETS .....	21
Checking Gear Housing Movement .....	8	Assembly .....	21
Adjusting Rack Retainer .....	8	Adjustment .....	24
Checking and Adjusting Drive Belts .....	8	<b>POWER STEERING OIL PUMP</b> .....	27
Checking Fluid Level .....	8	Components .....	27
Checking Fluid Leakage .....	8	Pre-disassembly Inspection .....	27
Bleeding Hydraulic System .....	9	Disassembly .....	28
Checking Steering Wheel Turning Force .....	9	Inspection .....	29
Checking Hydraulic System .....	10	Assembly .....	29
<b>STEERING WHEEL AND STEERING COLUMN</b> .....	11	<b>SERVICE DATA AND SPECIFICATIONS (SDS)</b> .....	32
Components .....	11	General Specifications .....	32
Removal and Installation .....	11	Steering Wheel .....	32
STEERING WHEEL .....	11	Steering Column .....	32
STEERING COLUMN .....	12	Steering Transfer Gear .....	32
Disassembly and Assembly .....	13	Steering Gear and Linkage .....	33
Inspection .....	14	Power Steering .....	33

GI  
MA  
EM  
LC  
EC  
FE  
AT  
TF  
PD  
AX  
SU  
BR  
ST  
RS  
BT  
HA  
SC  
EL  
IDX

## PRECAUTIONS

Supplemental Restraint System (SRS) "AIR BAG" and "SEAT BELT PRE-TENSIONER"

### Supplemental Restraint System (SRS) "AIR BAG" and "SEAT BELT PRE-TENSIONER"

NBST0044

The Supplemental Restraint System such as "AIR BAG" and "SEAT BELT PRE-TENSIONER" used along with a seat belt, helps to reduce the risk or severity of injury to the driver and front passenger for certain types of collision. The SRS system composition which is available to INFINITI QX4 is as follows:

- For a frontal collision  
The Supplemental Restraint System consists of driver air bag module (located in the center of the steering wheel), front passenger air bag module (located on the instrument panel on passenger side), seat belt pre-tensioners, a diagnosis sensor unit, warning lamp, wiring harness and spiral cable.
- For a side collision  
The Supplemental Restraint System consists of side air bag module (located in the outer side of front seat), satellite sensor, diagnosis sensor unit (one of components of air bags for a frontal collision), wiring harness, warning lamp (one of components of air bags for a frontal collision).

Information necessary to service the system safely is included in the **RS section** of this Service Manual.

#### **WARNING:**

- To avoid rendering the SRS inoperative, which could increase the risk of personal injury or death in the event of a collision which would result in air bag inflation, all maintenance must be performed by an authorized INFINITI dealer.
- Improper maintenance, including incorrect removal and installation of the SRS, can lead to personal injury caused by unintentional activation of the system. For removal of Spiral Cable and Air Bag Module, see the RS section.
- Do not use electrical test equipment on any circuit related to the SRS unless instructed to in this Service Manual. Spiral cable and wiring harnesses covered with yellow insulation tape either just before the harness connectors or for the complete harness are related to the SRS.

### Precautions for Steering System

NBST0002

- Before disassembly, thoroughly clean the outside of the unit.
- Disassembly should be done in a clean work area. It is important to prevent the internal parts from becoming contaminated by dirt or other foreign matter.
- Place disassembled parts in order, on a parts rack, for easier and proper assembly.
- Use nylon cloths or paper towels to clean the parts; common shop rags can leave lint that might interfere with their operation.
- Before inspection or reassembly, carefully clean all parts with a general purpose, non-flammable solvent.
- Before assembly, apply a coat of recommended power steering fluid\* to hydraulic parts. Vaseline may be applied to O-rings and seals. Do not use any grease.
- Replace all gaskets, seals and O-rings. Avoid damaging O-rings, seals and gaskets during installation. Perform functional tests whenever designated.

\*: Genuine Nissan PSF II or equivalent. Refer to MA-11, "Fluids and Lubricants".

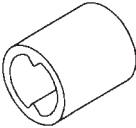
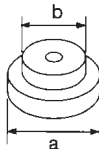
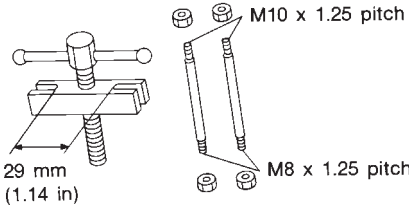
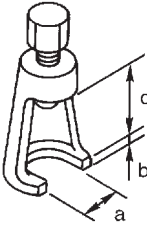
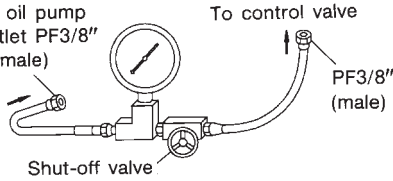
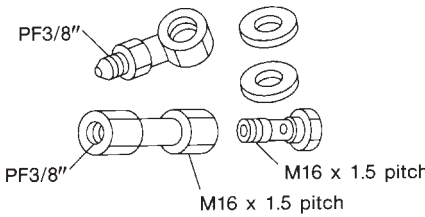
# PREPARATION

Special Service Tools

## Special Service Tools

NBST0003

The actual shapes of Kent-Moore tools may differ from those of special service tools illustrated here.

Tool number (Kent-Moore No.) Tool name	Description		GI
KV48100700 (J26364) Torque adapter		Measuring pinion rotating torque	MA
ST35300000 ( — ) Drift		Installing power steering oil pump oil seal <b>a: 59 mm (2.32 in) dia.</b> <b>b: 45 mm (1.77 in) dia.</b>	EM
ST27180001 (J25726-A) Steering wheel puller		Removing steering wheel	LC
ST29020001 (J24319-01) Ball joint remover		Removing ball joint <b>a: 34 mm (1.34 in)</b> <b>b: 6.5 mm (0.256 in)</b> <b>c: 61.5 mm (2.421 in)</b>	EC
KV48103500 (J26357 and J26357-10) Pressure gauge		Measuring oil pressure	FE
KV48102500 ( — ) Pressure gauge adapter		Measuring oil pressure	AT

ST

RS

BT

HA

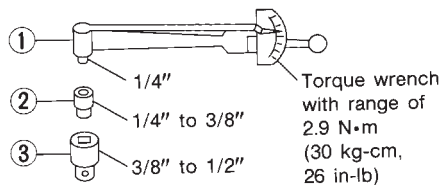
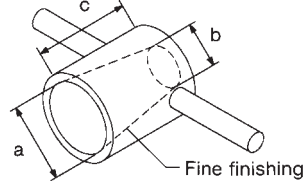
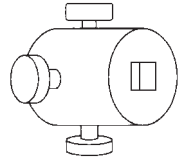
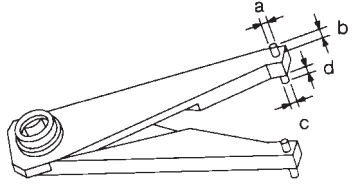
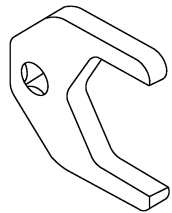
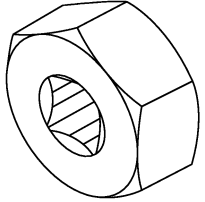
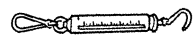
SC

EL

IDX

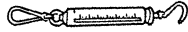
# PREPARATION

## Special Service Tools (Cont'd)

Tool number (Kent-Moore No.) Tool name	Description
ST3127S000 (See J25765-A) 1 GG91030000 (J25765-A) Torque wrench 2 HT62940000 ( — ) Socket adapter 3 HT62900000 ( — ) Socket adapter	 <p>Measuring turning torque</p> <p>Torque wrench with range of 2.9 N·m (30 kg-cm, 26 in-lb)</p> <p>① 1/4"</p> <p>② 1/4" to 3/8"</p> <p>③ 3/8" to 1/2"</p> <p>NT541</p>
KV48104400 ( — ) Rack seal ring reformer	 <p>Reforming teflon ring</p> <p>a: 50 mm (1.97 in) dia.</p> <p>b: 36 mm (1.42 in) dia.</p> <p>c: 100 mm (3.94 in)</p> <p>Fine finishing</p> <p>NT550</p>
KV48103400 ( — ) Torque adapter	 <p>Measuring steering transfer gear rotating torque</p> <p>NT236</p>
KV48104200 ( — ) Rear cover wrench	 <p>Removing and installing gear housing end cover</p> <p>a: 4 mm (0.16 in) dia.</p> <p>b: 5 mm (0.20 in)</p> <p>c: 3 mm (0.12 in) dia.</p> <p>d: 5 mm (0.20 in)</p> <p>NT540</p>
(J43995) Steering lock nut wrench	 <p>Adjusting steering pinion rotating torque</p> <p>NT838</p>
(J43996) Steering rack adjustment wrench	 <p>Adjusting steering pinion rotating torque</p> <p>NT839</p>
(J-44372) Spring gauge	 <p>Measuring steering wheel turning force</p> <p>LST024</p>

# PREPARATION

Special Service Tools (Cont'd)

Tool number (Kent-Moore No.) Tool name	Description	
(J-44183-A) Spring gauge		Measuring rack sliding force
	LST025	

GI

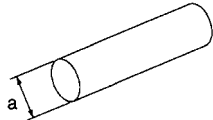
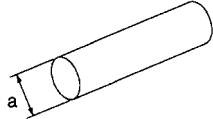
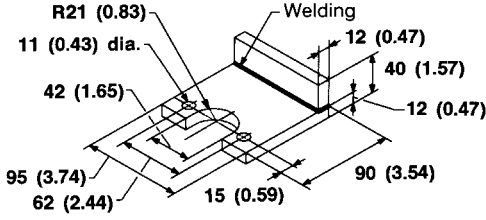
MA

EM

LC

## Commercial Service Tools

NBST0004

Tool name	Description	
Rear oil seal drift		Installing rear oil seal a: 28 mm (1.10 in) dia.
	NT063	
Pinion oil seal drift		Installing pinion oil seal a: 40 mm (1.57 in) dia.
	NT063	
Oil pump attachment		Disassembling and assembling oil pump Unit: mm (in)
	NT179	

EC

FE

AT

TF

PD

AX

SU

BR

**ST**

RS

BT

HA

SC

EL

IDX

# NOISE, VIBRATION AND HARSHNESS (NVH) TROUBLESHOOTING

## NVH Troubleshooting Chart

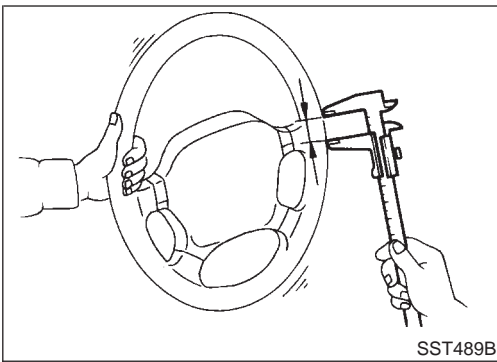
### NVH Troubleshooting Chart

NB5T0043/01

Use the chart below to help you find the cause of the symptom. If necessary, repair or replace these parts.

Reference page	Possible cause and SUSPECTED PARTS				
	STEERING	Noise	Shake	Vibration	Judder
ST-8		×			
ST-9		×			
ST-21		×			
ST-21		×			
ST-21		×			
ST-8		×			
ST-7		×			
ST-9		×			
MA-13		×			
—			×	×	
ST-13			×	×	
ST-8	×	×	×	×	
ST-13			×		
ST-13			×		
ST-17	×	×			
PD-3			×	×	×
PD-3					×
AX-3			×	×	×
AX-3	×	×	×	×	×
SU-3	×	×	×	×	×
SU-3	×	×	×	×	×
SU-3	×	×		×	×
BR-6				×	×

x: Applicable



## Checking Steering Wheel Play

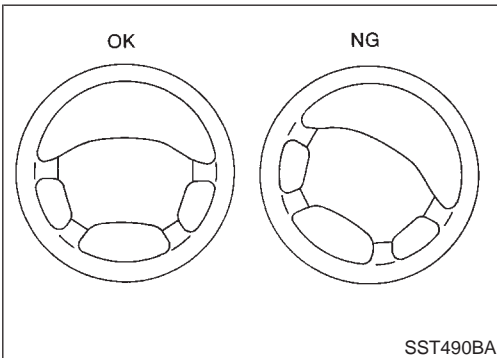
NBST0005

1. With wheels in a straight-ahead position, check steering wheel play.

**Steering wheel play:**  
**35 mm (1.38 in) or less**

2. If it is not within specification, check the following for loose or worn components.

**Steering gear assembly**  
**Steering column**  
**Front suspension and axle**



## Checking Neutral Position on Steering Wheel

NBST0006

### PRE-CHECKING

NBST0006S01

- Make sure that wheel alignment is correct.

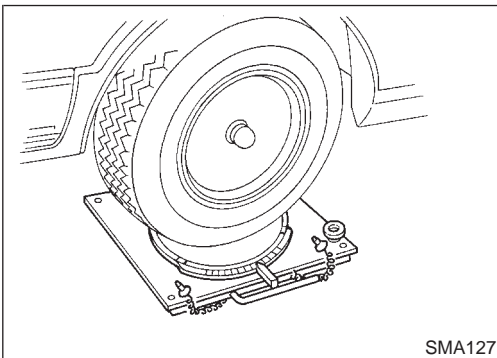
**Wheel alignment:**  
**Refer to SU-13, "Wheel Alignment".**

- Verify that the steering gear is centered before removing the steering wheel.

### CHECKING

NBST0006S02

1. Check that the steering wheel is in the neutral position when driving straight ahead.
2. If it is not in the neutral position, remove the steering wheel and reinstall it correctly.
3. If the neutral position is between two teeth, loosen tie-rod lock nuts. Turn the tie-rods by the same amount in opposite directions on both left and right sides.

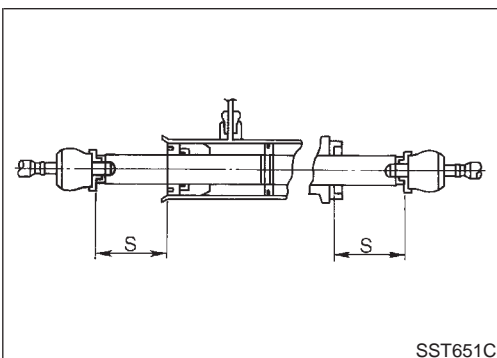


## Front Wheel Turning Angle

NBST0007

1. Rotate steering wheel all the way right and left; measure turning angle.

**Turning angle of full turns:**  
**Refer to SU-13, "Wheel Alignment".**

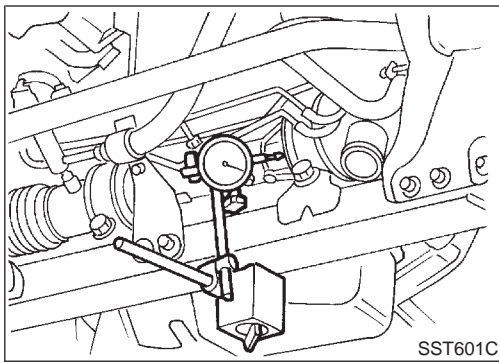


2. If it is not within specification, check rack stroke.

**Rack stroke "S":**  
**Refer to SDS (ST-33).**

# ON-VEHICLE SERVICE

## Checking Gear Housing Movement



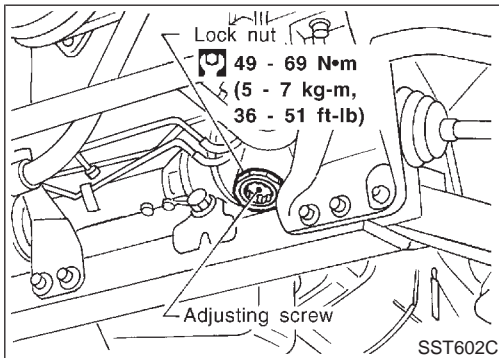
## Checking Gear Housing Movement

NBST0008

1. Check the movement of steering gear housing during stationary steering on a dry paved surface.
  - Apply a force of 49 N (5 kg, 11 lb) to steering wheel to check the gear housing movement.  
Turn off ignition key while checking.

**Movement of gear housing:**  
**±2 mm (±0.08 in) or less**

2. If movement exceeds the limit, replace mount insulator after confirming proper installation of gear housing clamps.



## Adjusting Rack Retainer

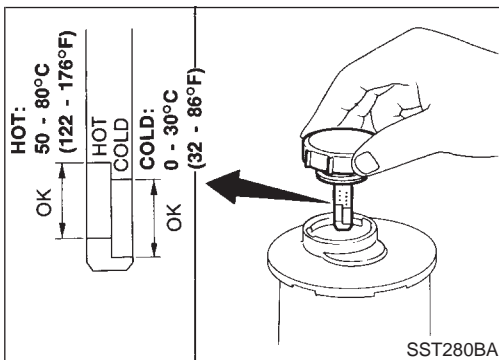
NBST0009

- Perform this driving test on a flat road.
- a) Check whether vehicle moves in a straight line when steering wheel is released.
- b) Check whether steering wheel returns to neutral position when steering wheel is released from a slightly turned (approx. 20°) position.
- If any abnormality is found, correct it by resetting adjusting screw.

## Checking and Adjusting Drive Belts

NBST0010

Refer to MA-13, "Checking Drive Belts".



## Checking Fluid Level

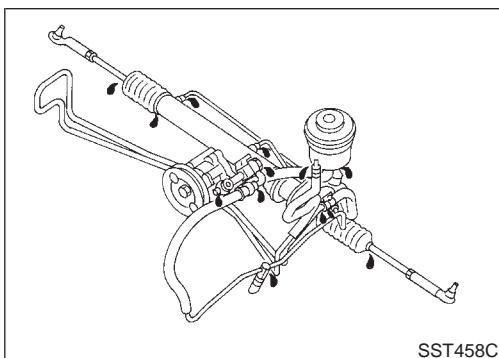
NBST0011

Check fluid level.

Use the correct range of the dipstick depending on the fluid temperature. Use the "HOT" range at 50 to 80°C (122 to 176°F), or the "COLD" range at 0 to 30°C (32 to 86°F).

### CAUTION:

- Do not overfill.
- Recommended fluid is Genuine Nissan PSF II or equivalent. Refer to MA-11, "Fluids and Lubricants".



## Checking Fluid Leakage

NBST0012

Check the lines for improper attachment and for leaks, cracks, damage, loose connections, chafing and deterioration.

1. Run engine between idle speed and 1,000 rpm.  
**Make sure temperature of fluid in oil tank rises to 60 to 80°C (140 to 176°F).**
2. Turn steering wheel right-to-left several times.
3. Hold steering wheel at each "lock" position for five seconds and carefully check for fluid leakage.



**CAUTION:**

**Do not hold the steering wheel in a locked position for more than 15 seconds.**

4. If fluid leakage at connectors is noticed, loosen flare nut and then retighten.

**Do not overtighten connector as this can damage O-ring, washer and connector.**

5. Check rack boots for accumulation of power steering fluid.

GI

MA

EM

LC

## Bleeding Hydraulic System

1. Raise front end of vehicle until wheels are clear of the ground.
2. Add fluid into oil tank to specified level. Then, quickly turn steering wheel fully to right and left and lightly touch steering stoppers.

Repeat steering wheel operation until fluid level no longer decreases.

3. Start engine.  
Repeat step 2 above.

- Incomplete air bleeding will cause the following to occur. When this happens, bleed air again.

- a) Air bubbles in reservoir tank
- b) Clicking noise in oil pump
- c) Excessive buzzing in oil pump

Fluid noise may occur in the valve or oil pump. This is common when the vehicle is stationary or while turning steering wheel slowly. This does not affect performance or durability of the system.

NBST0013

EC

FE

AT

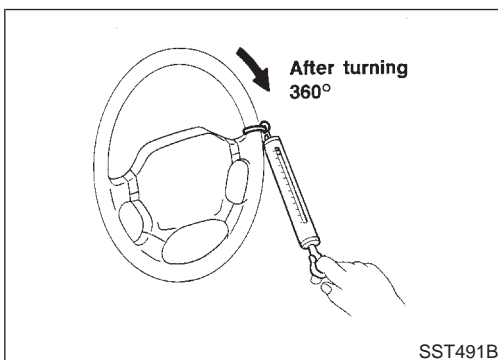
TF

PD

AX

SU

BR



## Checking Steering Wheel Turning Force

1. Park vehicle on a level, dry surface and set parking brake.
2. Start engine.
3. Bring power steering fluid up to adequate operating temperature. [Make sure temperature of fluid is approximately 60 to 80°C (140 to 176°F).]

**Tires need to be inflated to normal pressure.**

4. Check steering wheel turning force when steering wheel has been turned 360° from the neutral position.

**Steering wheel turning force:**

**39 N (4 kg, 9 lb) or less**

NBST0014

ST

RS

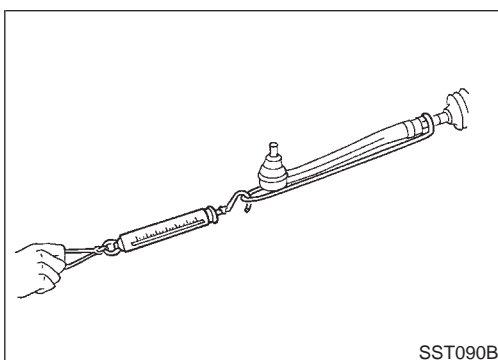
BT

HA

SC

EL

IDX



5. If steering wheel turning force is out of specification, check rack sliding force.

- a. Disconnect steering column lower joint and knuckle arms from the gear.

- b. Start and run engine at idle to make sure steering fluid has reached normal operating temperature.

- c. Pull tie-rod slowly to move it from neutral position to  $\pm 11.5$  mm ( $\pm 0.453$  in) at speed of 3.5 mm (0.138 in)/s. Check that rack sliding force is within specification.

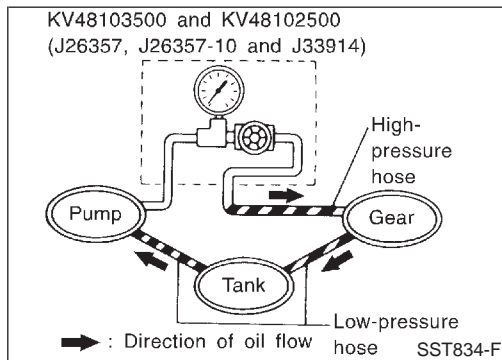
**Rack sliding force:**

**137 - 255 N (14 - 26 kg, 31 - 57 lb)**

# ON-VEHICLE SERVICE

## Checking Steering Wheel Turning Force (Cont'd)

6. If rack sliding force is not within specification, overhaul steering gear assembly.
7. If rack sliding force is OK, inspect steering column. Refer to "Inspection", "STEERING WHEEL AND STEERING COLUMN", ST-14.



## Checking Hydraulic System

NBST0015

Before starting, check belt tension, driving pulley and tire pressure.

1. Set Tool. Open shut-off valve. Then bleed air. Refer to "Bleeding Hydraulic System", ST-9.
2. Run engine, at idle speed or 1,000 rpm.

**Make sure fluid temperature in reservoir tank rises to 60 to 80°C (140 to 176°F).**

### **WARNING:**

**Warm up engine with shut-off valve fully opened. If engine is started with shut-off valve closed, fluid pressure in the power steering pump increase to maximum. This will raise fluid temperature abnormally.**

3. Check pressure with steering wheel fully turned to left and right positions with engine idling at 1,000 rpm.

### **CAUTION:**

**Do not hold the steering wheel in a locked position for more than 15 seconds.**

**Power steering pump maximum operating pressure:**

**8,630 - 9,219 kPa**

**(88 - 94 kg/cm<sup>2</sup>, 1,251 - 1,337 psi)**

- If pressure reaches maximum operating pressure, system is OK.
  - If pressure increases above maximum operating pressure, check power steering pump flow control valve. Refer to ST-28.
4. If power steering pressure is below the maximum operating pressure, slowly close shut-off valve and check pressure again.

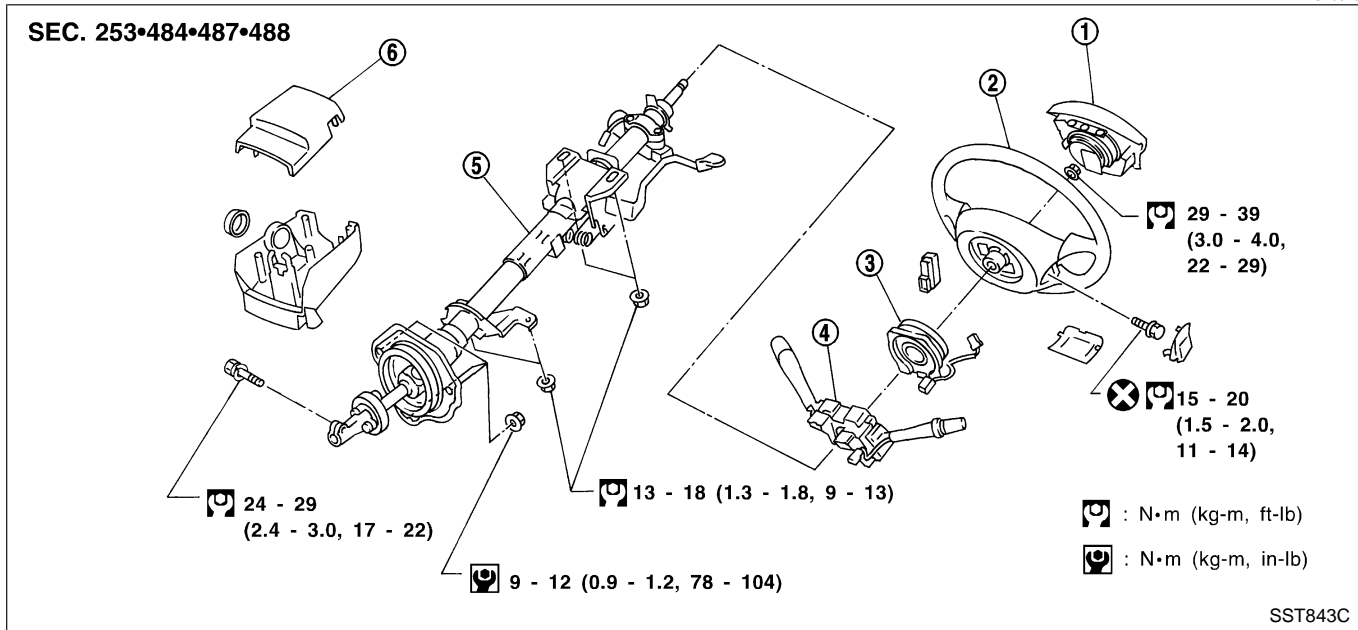
### **CAUTION:**

**Do not close shut-off valve for more than 15 seconds.**

- If pressure increases to maximum operating pressure, gear should be damaged. Refer to "Removal and Installation", ST-18.
  - If pressure remains below maximum operating pressure, pump should be damaged. Refer to "Disassembly", ST-28.
5. After checking hydraulic system, remove Tool and add fluid as necessary. Then completely bleed air out of system. Refer to ST-9.

## Components

NBST0016



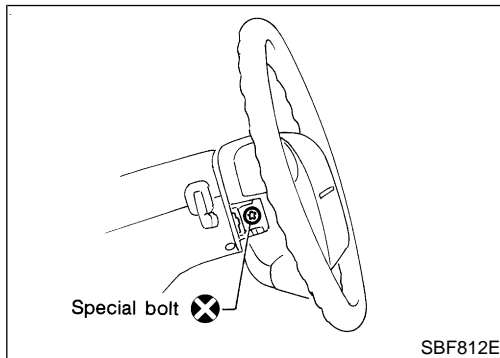
- 1. Air bag module
- 2. Steering wheel

- 3. Spiral cable
- 4. Combination switch

- 5. Steering column assembly
- 6. Column cover

### CAUTION:

- The rotation of the spiral cable (SRS "AIR BAG" component part) is limited. If the steering gear must be removed, set the front wheels in the straight-ahead direction. Do not rotate the steering column while the steering gear is removed.
- Remove the steering wheel before removing the steering lower joint to avoid damaging the SRS spiral cable.



## Removal and Installation

### STEERING WHEEL

NBST0017

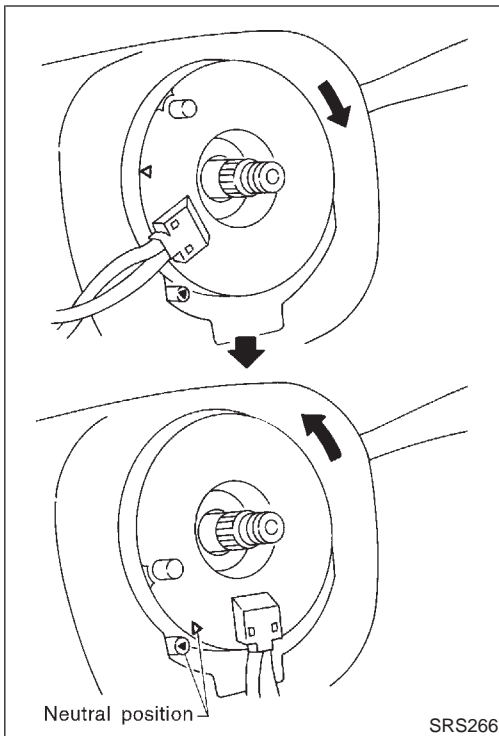
NBST0017S01

1. Remove air bag module and spiral cable. Refer to RS-17, "Removal — Air Bag Module and Spiral Cable".

GI  
MA  
EM  
LC  
EC  
FE  
AT  
TF  
PD  
AX  
SU  
BR  
ST  
RS  
BT  
HA  
SC  
EL  
IDX

# STEERING WHEEL AND STEERING COLUMN

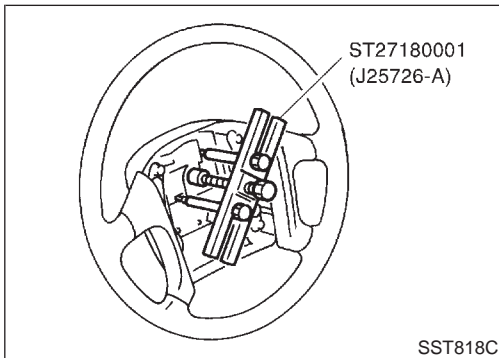
## Removal and Installation (Cont'd)



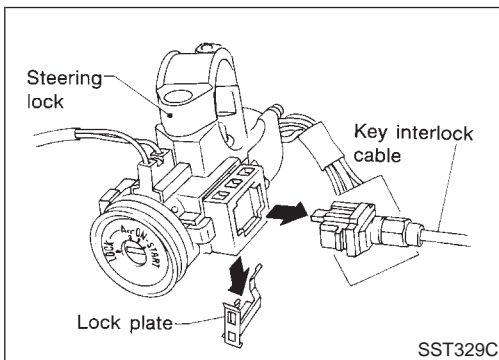
2. Align spiral cable correctly when installing steering wheel.
  - a. Set the front wheels in the straight-ahead position.
  - b. Make sure that the spiral cable is in the neutral position. The neutral position is detected by turning left about 2.5 revolutions from the right end position. Align the two marks (X).

### CAUTION:

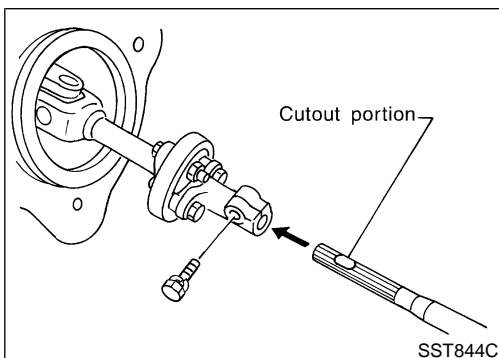
- The spiral cable may snap due to steering operation if the cable is installed in an improper position.
- Also, with the steering linkage disconnected, the cable may snap by turning the steering wheel beyond the limited number of turns. The spiral cable can be turned to the left about 2.5 turns from the right end position.



3. Remove steering wheel with Tool.



4. Remove key interlock cable.



## STEERING COLUMN

- When installing steering column, fingertighten all lower bracket and clamp retaining bolts; then tighten them securely. Do not apply undue stress to steering column.
- When attaching coupling joint, be sure tightening bolt faces cutout portion.

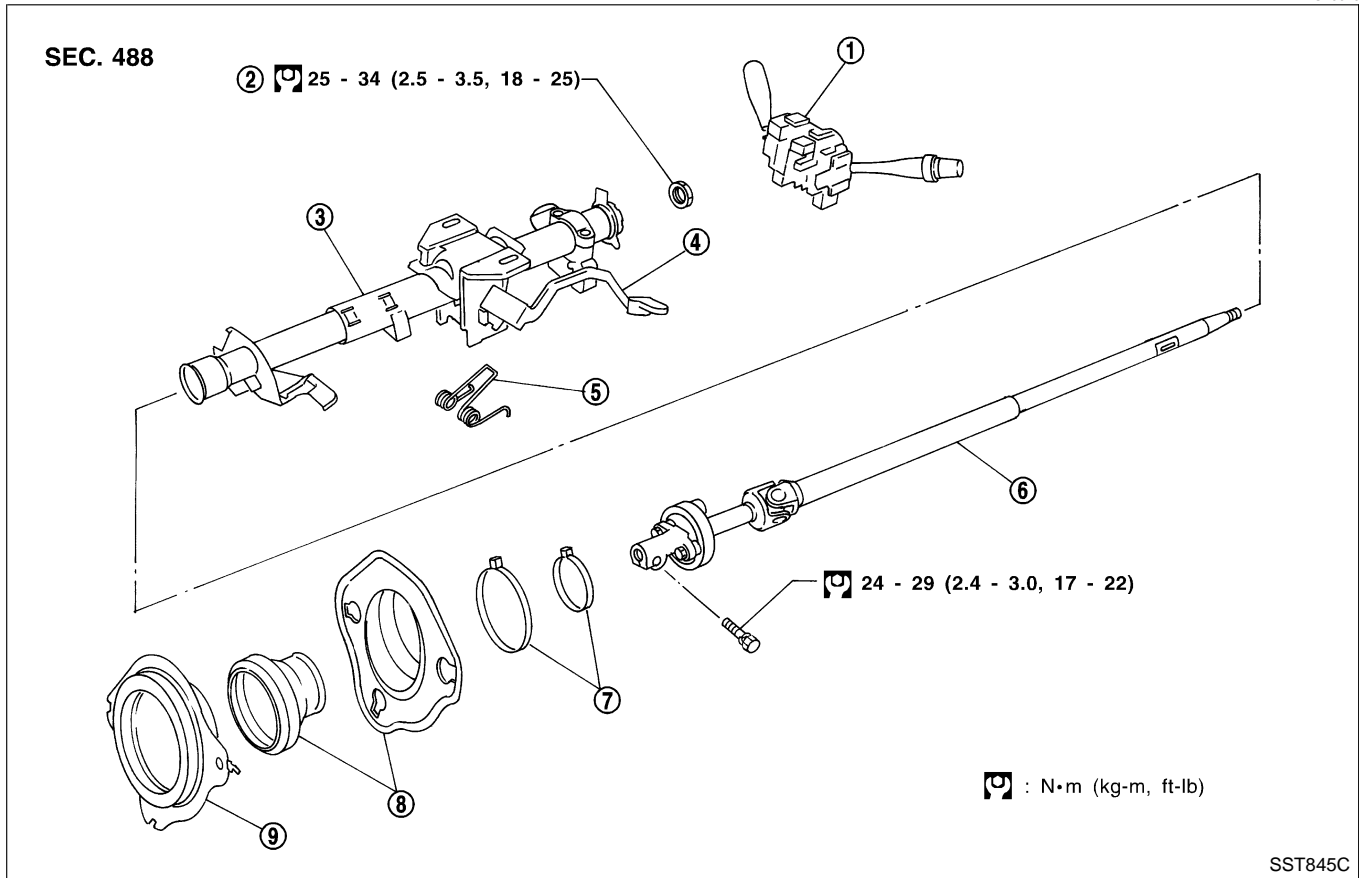
NBST0017S02

# STEERING WHEEL AND STEERING COLUMN

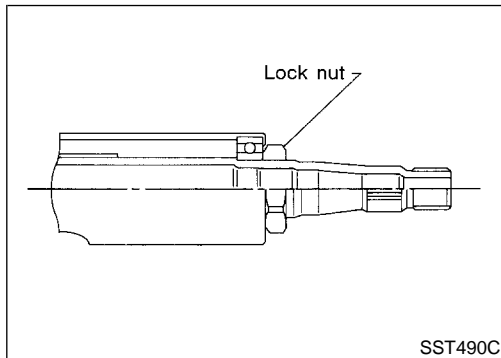
Disassembly and Assembly

## Disassembly and Assembly

NBST0018

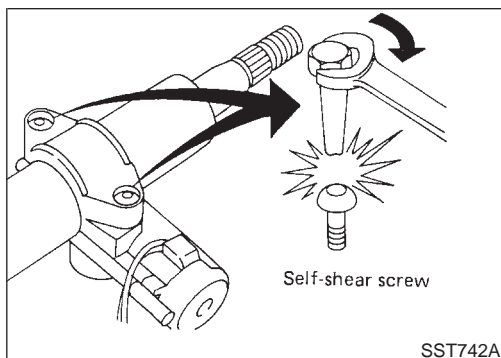


- |                         |                                   |   |
|-------------------------|-----------------------------------|---|
| 1. Combination switch   | 4. Tilt lever                     | 7. Band                                   |
| 2. Lock nut             | 5. Tilt spring                    | 8. Jacket tube bracket insulator assembly |
| 3. Jacket tube assembly | 6. Steering column shaft assembly | 9. Hole cover                             |



- When disassembling and assembling, unlock steering lock with key.
- Install lock nut on steering column shaft and tighten the nut to specification.

: 25 - 34 N·m (2.5 - 3.5 kg-m, 18 - 25 ft-lb)

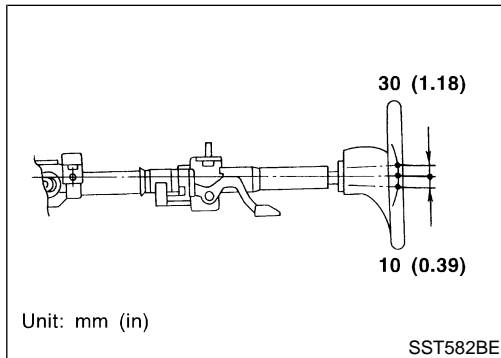
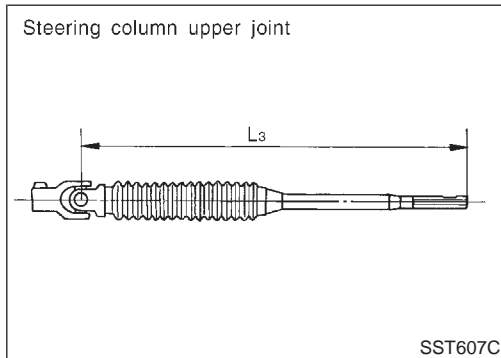
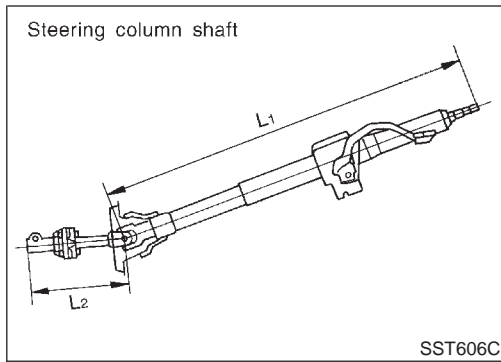


- Steering lock
  - a) Break self-shear type screws with a drill or other appropriate tool.
  - b) Install new self-shear type screws and then cut off self-shear type screw heads.

GI  
MA  
EM  
LC  
EC  
FE  
AT  
TF  
PD  
AX  
SU  
BR  
ST  
RS  
BT  
HA  
SC  
EL  
IDX

# STEERING WHEEL AND STEERING COLUMN

## Inspection



## Inspection

NBST0019

- When steering wheel does not turn smoothly, check the steering column as follows and replace damaged parts.
  - a) Check column bearings for damage and unevenness. Lubricate with recommended multi-purpose grease or replace steering column as an assembly, if necessary.
  - b) Check steering column lower shaft for deformation and breakage. Replace if necessary.
- When the vehicle comes into a light collision, check length “L<sub>1</sub>”, “L<sub>2</sub>” and “L<sub>3</sub>”.

**Steering column length “L<sub>1</sub>”:**

**716.7 - 718.7 mm (28.22 - 28.30 in)**

**Steering column lower shaft length “L<sub>2</sub>”:**

**178 - 180 mm (7.01 - 7.09 in)**

**Steering column upper joint length “L<sub>3</sub>”:**

**430.7 - 432.7 mm (16.96 - 17.04 in)**

If out of the specifications, replace steering column upper joint or steering column as an assembly.

## TILT MECHANISM

NBST0019S01

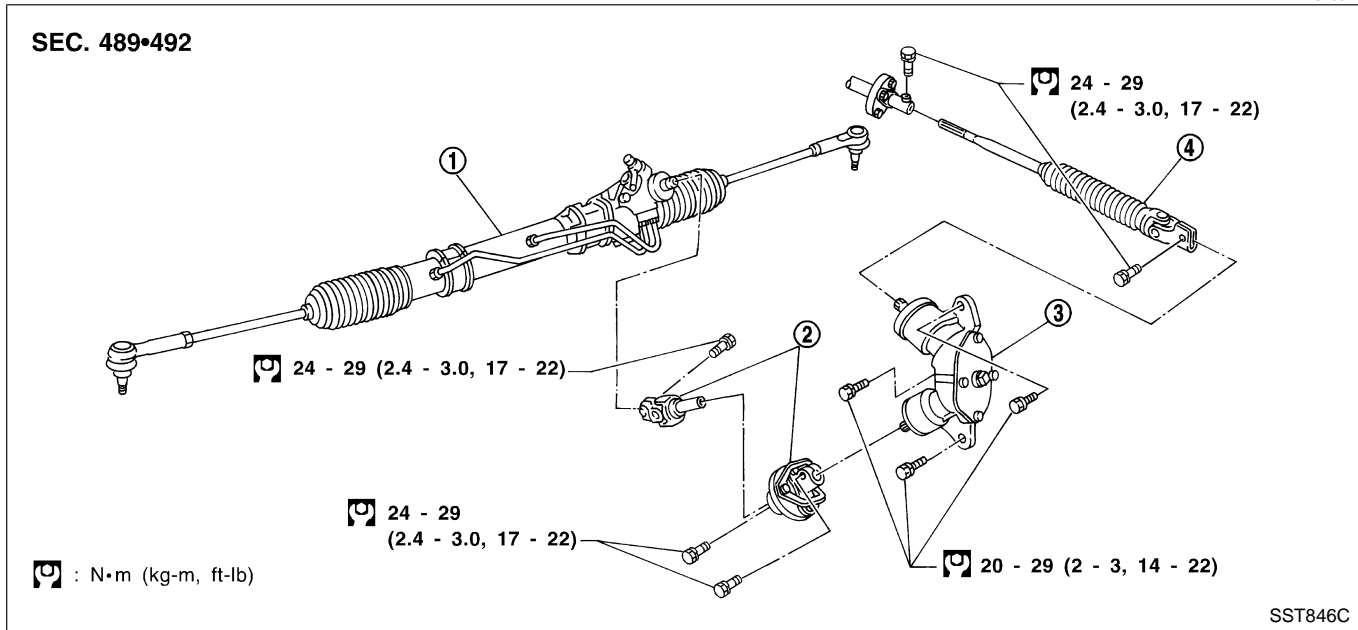
After installing steering column, check tilt mechanism operation.

# STEERING TRANSFER GEAR

Removal

## Removal

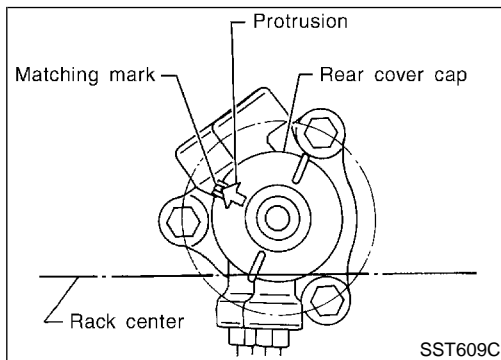
NBST0021



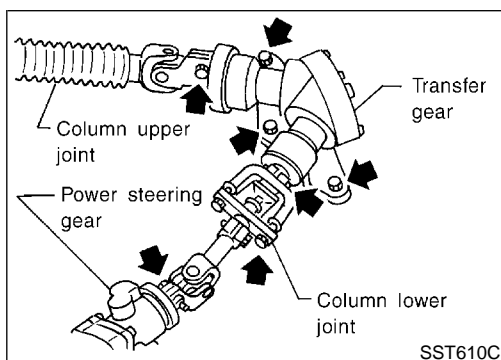
1. Power steering gear assembly
2. Steering column lower joint

3. Transfer gear assembly

4. Steering column upper joint



1. Set wheels in the straight-ahead position.
2. Straight-forward position is indicated by a protrusion on the power steering gear rear cover cap and matching mark on the rear housing.

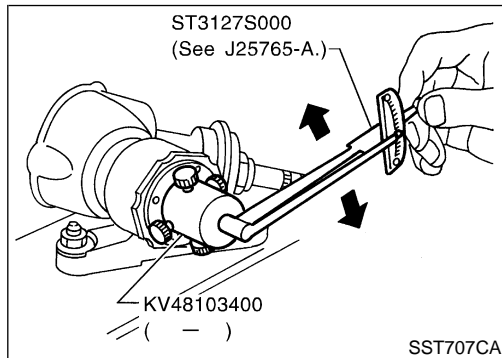
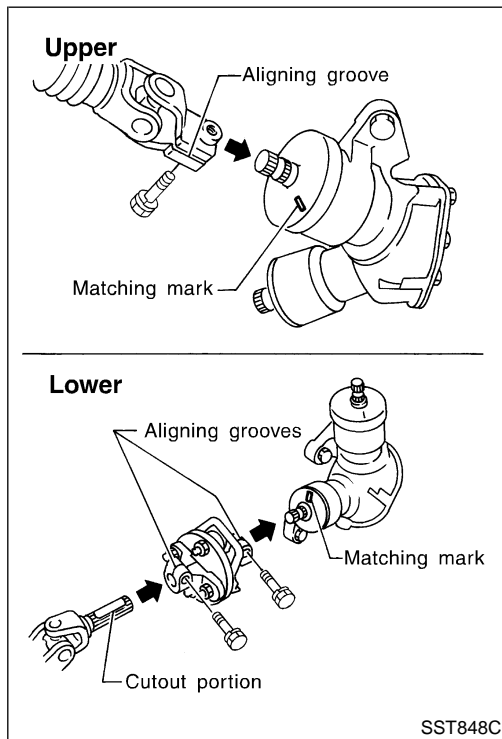
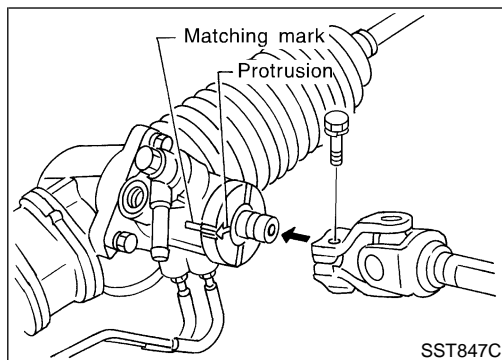


3. Remove steering column upper and lower joint from transfer gear.
4. Remove transfer gear assembly.

GI  
MA  
EM  
LC  
EC  
FE  
AT  
TF  
PD  
AX  
SU  
BR  
ST  
RS  
BT  
HA  
SC  
EL  
IDX

# STEERING TRANSFER GEAR

## Installation



## Installation

NBST0022

1. Set wheels in the straight-ahead position.
2. Install transfer gear assembly.
3. Install column lower joint while aligning groove with protrusions on the steering gear rear cover cap.
4. Tighten bolt while aligning groove on steering gear. Before tightening bolt, ensure it is inserted correctly.
5. When attaching steering column upper and lower joint to transfer gear, it must be positioned as shown in figure at left.

## Inspection

NBST0024

### Do not disassemble steering transfer gear assembly.

- Check that steering transfer gear assembly operates smoothly. Also check for grease leakage, deformation and damage. Replace steering transfer gear assembly if necessary.
- Check rotating torque at input shaft in 360° and in both directions.

### Rotating torque:

**0.25 - 0.69 N·m (2.5 - 7.0 kg·cm, 2.2 - 6.1 in·lb)**

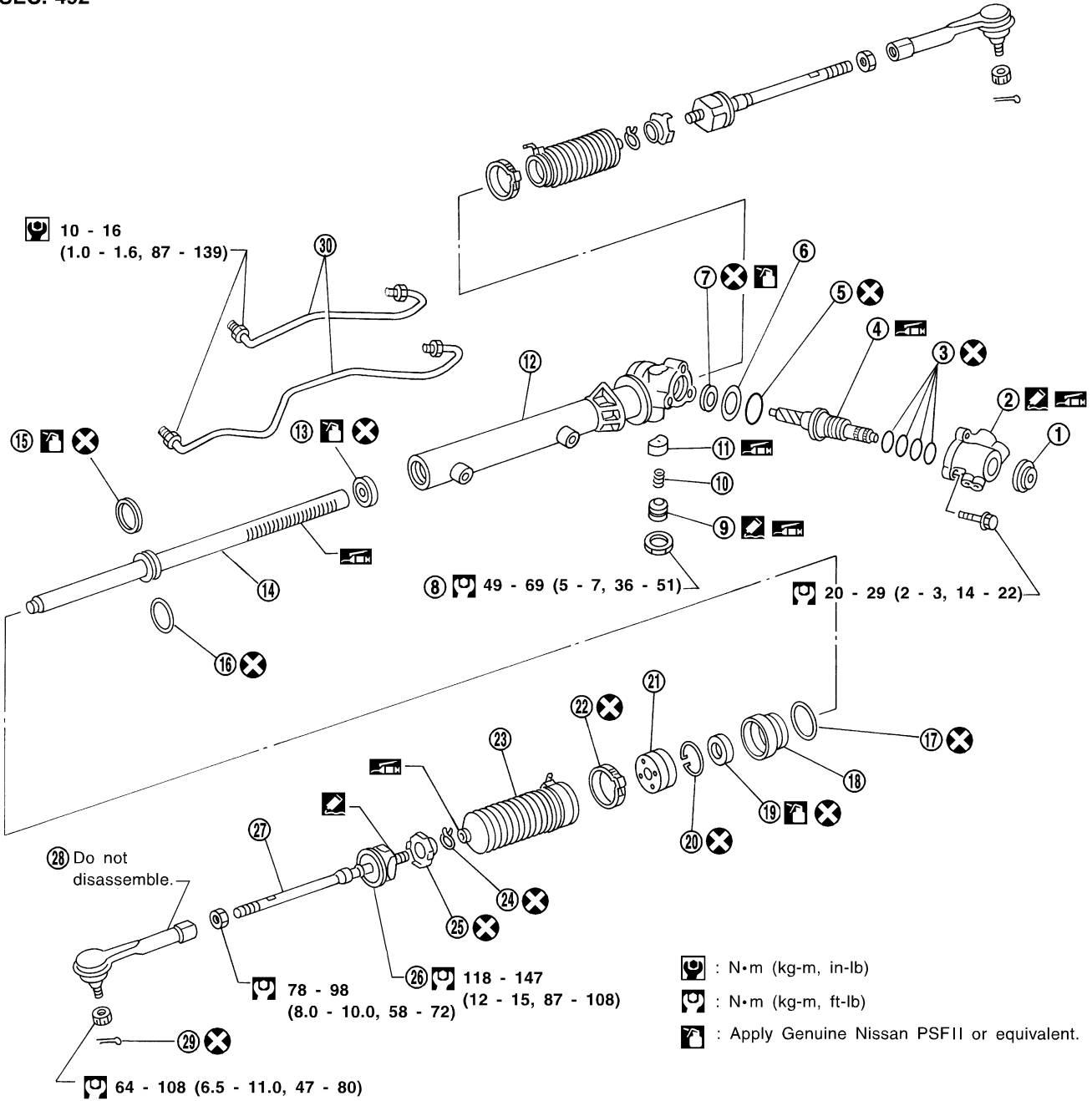
If rotating torque is out of specification, replace steering transfer gear assembly.



## Components

NBST0026

SEC. 492



- |                          |                           |                          |
|--------------------------|---------------------------|--------------------------|
| 1. Rear cover cap        | 11. Retainer              | 21. End cover assembly   |
| 2. Rear housing assembly | 12. Gear housing assembly | 22. Boot clamp           |
| 3. Pinion seal ring      | 13. Rack oil seal         | 23. Dust boot            |
| 4. Pinion assembly       | 14. Rack assembly         | 24. Boot clamp           |
| 5. O-ring                | 15. Rack seal ring        | 25. Lock plate           |
| 6. Shim                  | 16. O-ring                | 26. Tie-rod inner socket |
| 7. Pinion oil seal       | 17. O-ring                | 27. Tie-rod              |
| 8. Lock nut              | 18. Rack bushing          | 28. Tie-rod outer socket |
| 9. Adjusting screw       | 19. Rack oil seal         | 29. Cotter pin           |
| 10. Spring               | 20. Snap ring             | 30. Cylinder tube        |

SST618CB

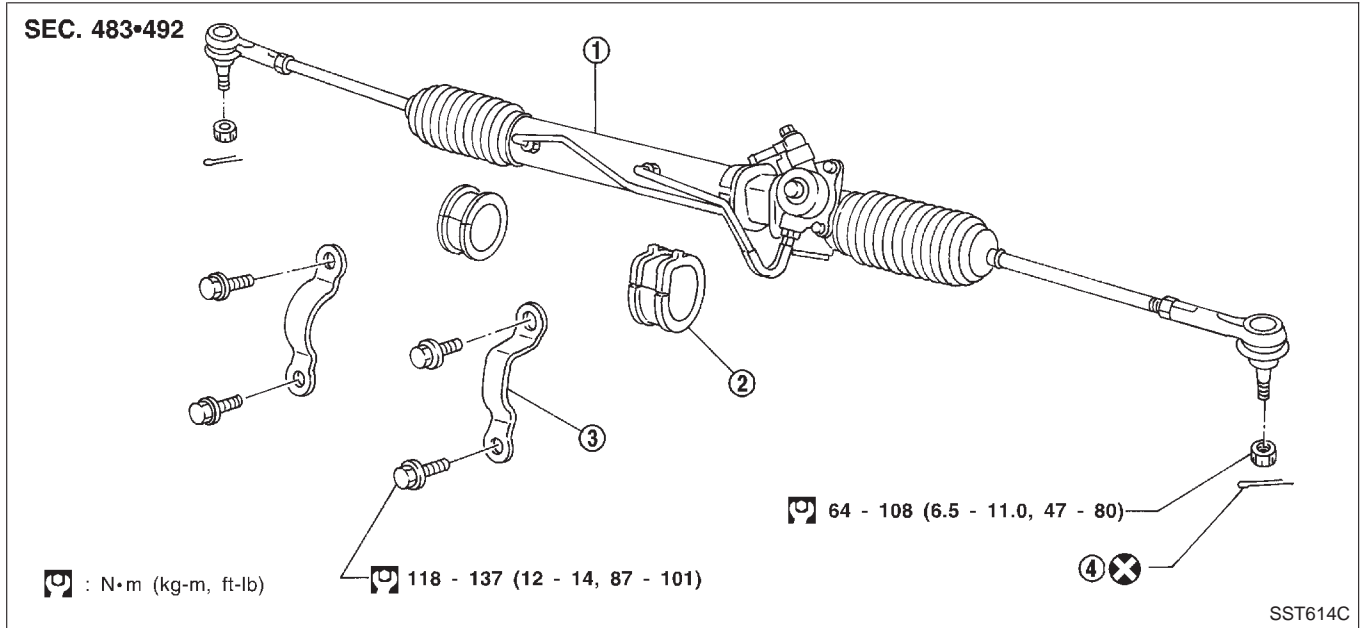
GI  
MA  
EM  
LC  
EC  
FE  
AT  
TF  
PD  
AX  
SU  
BR  
**ST**  
RS  
BT  
HA  
SC  
EL  
IDX

# POWER STEERING GEAR AND LINKAGE

Removal and Installation

## Removal and Installation

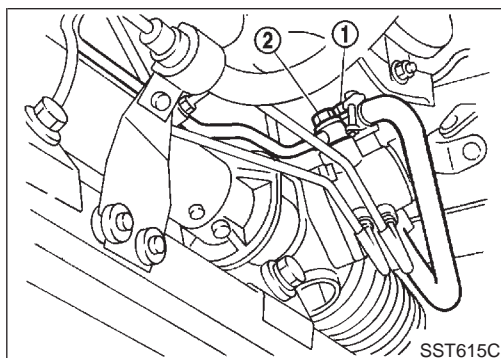
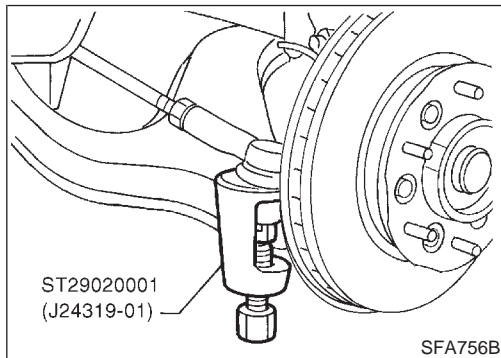
NBST0027



1. Gear and linkage assembly
2. Rack mounting insulator

3. Gear housing mounting bracket

4. Cotter pin



### CAUTION:

- The rotation of the spiral cable (SRS “AIR BAG” component part) is limited. If the steering gear must be removed, set the front wheels in the straight-ahead direction. Do not rotate the steering column while the steering gear is removed.
- Remove the steering wheel before removing the steering lower joint to avoid damaging the SRS spiral cable.
- Detach tie-rod outer sockets from knuckle arms with Tool.

- Install pipe connector.
- Observe specified tightening torque when tightening high-pressure and low-pressure pipe connectors. Excessive tightening will damage threads of connector or O-ring.

### Connector tightening torque:

#### Low-pressure side “1”

30 - 35 N·m (3.1 - 3.6 kg-m, 22 - 26 ft-lb)

#### High-pressure side “2”

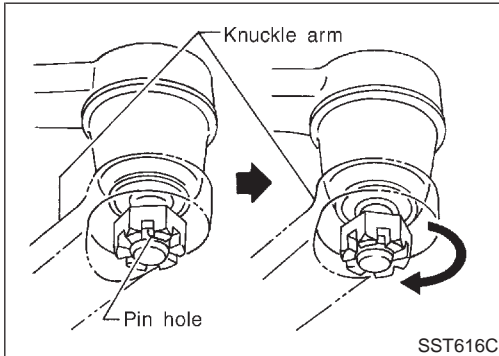
30 - 35 N·m (3.1 - 3.6 kg-m, 22 - 26 ft-lb)

- The O-ring in low-pressure pipe connector is larger than that

# POWER STEERING GEAR AND LINKAGE

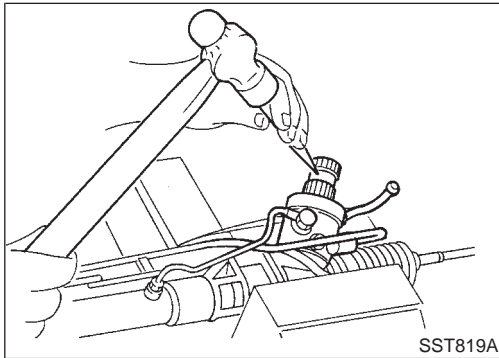
Removal and Installation (Cont'd)

in high-pressure connector. Take care to install the proper O-ring.

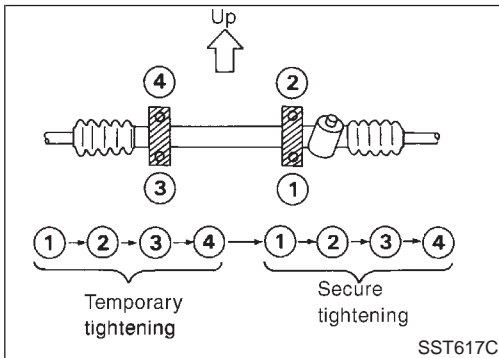


- Initially, tighten nut on tie-rod outer socket and knuckle arm to 64 to 69 N·m (6.5 to 7.0 kg-m, 47 to 51 ft-lb). Then tighten further to align nut groove with first pin hole so that cotter pin can be installed.

**CAUTION:**  
Tightening torque must not exceed 108 N·m (11.0 kg-m, 80 ft-lb).

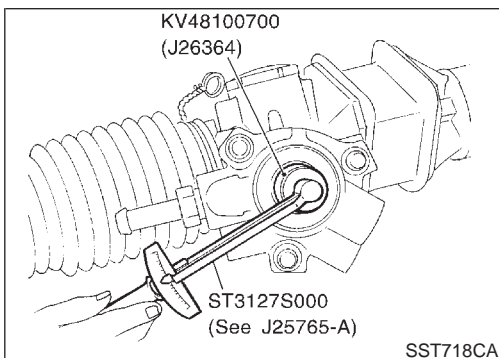


- Before removing steering column lower joint from gear, set gear in neutral (wheels in straight-ahead position). After removing steering column lower joint, put matching mark on pinion shaft and pinion housing to record neutral position.
- To install, set left and right dust boots to equal deflection. Attach steering column lower joint by aligning matching marks of pinion shaft and pinion housing.



- Tighten gear housing mounting bracket bolts in the order shown.

**Secure tightening torque:**  
118 - 137 N·m (12 - 14 kg-m, 87 - 101 ft-lb)



## Disassembly

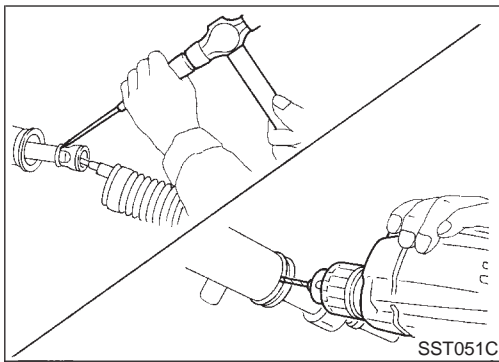
- Prior to disassembling, measure pinion rotating torque. Record the pinion rotating torque as a reference.
  - Before measuring, disconnect cylinder tube and drain fluid.
  - Use soft jaws when holding steering gear housing. Handle gear housing carefully, as it is made of aluminum. Do not grip cylinder in a vise.
- Remove pinion gear.

Be careful not to damage pinion gear when removing pinion seal ring.

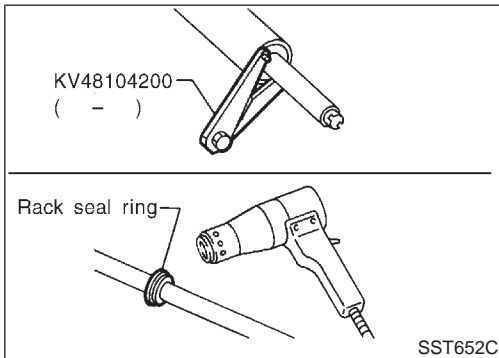
GI  
MA  
EM  
LC  
EC  
FE  
AT  
TF  
PD  
AX  
SU  
BR  
ST  
RS  
BT  
HA  
SC  
EL  
IDX

# POWER STEERING GEAR AND LINKAGE

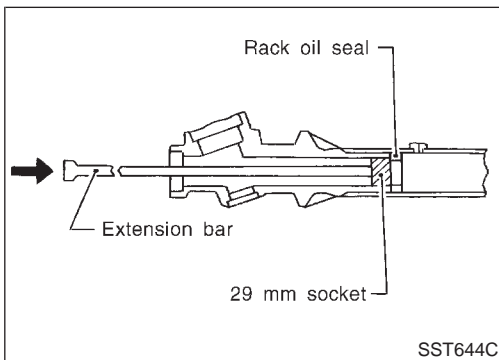
Disassembly (Cont'd)



3. Remove tie-rod outer sockets and boots.
4. Loosen tie-rod inner socket by prying up staked portion, and remove socket.
5. Remove retainer.
6. Remove pinion assembly.
7. Use a 2 to 2.5 mm (0.079 to 0.098 in) diameter drill to completely remove staked portion of gear housing end.



8. Remove gear housing end cover assembly with a suitable tool.
  9. Draw out rack assembly.
  10. Remove rack seal ring.
    - Using a heat gun, heat rack seal to approximately 40°C (104°F).
    - Remove rack seal ring.
- Be careful not to damage rack.**



11. Remove rack bushing and rack oil seal using tape wrapped socket and extension bar.
- Do not scratch inner surfaces of pinion housing.**

## Inspection

Thoroughly clean all parts in cleaning solvent or Genuine Nissan PSF II or equivalent. Blow dry with compressed air, if available.

## BOOT

- Check condition of boot. If cracked excessively, replace it.
- Check boots for accumulation of power steering fluid.

## RACK

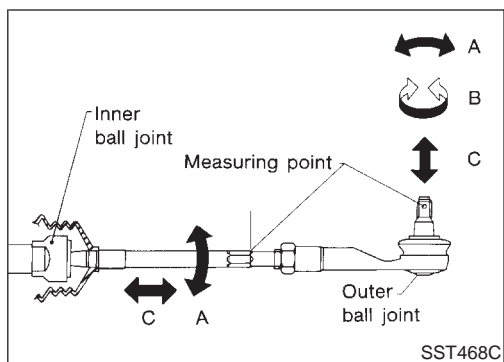
Thoroughly examine rack gear. If damaged, cracked and worn, replace it.

## PINION ASSEMBLY

- Thoroughly examine pinion gear. If pinion gear is damaged, cracked and worn, replace it.
- Check that all bearings roll freely. Ensure that balls, rollers and races are not cracked, pitted and worn.

## GEAR HOUSING CYLINDER

Check gear housing cylinder bore for scratches and other damage. Replace if necessary.



## TIE-ROD OUTER AND INNER SOCKETS

NBST0029S05

- Check ball joints for swinging force.  
**Tie-rod outer and inner ball joints swinging force "A":**  
**Refer to SDS, ST-33.**
- Check ball joint for rotating torque.  
**Tie-rod outer ball joint rotating torque "B":**  
**Refer to SDS, ST-33.**
- Check ball joints for axial end play.  
**Tie-rod outer and inner ball joints axial end play "C":**  
**Refer to SDS, ST-33.**
- Check condition of dust cover. If cracked excessively, replace outer tie-rod.

GI

MA

EM

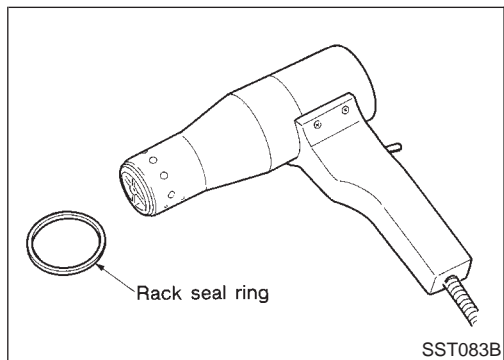
LC

EC

FE

AT

TF



## Assembly

NBST0030

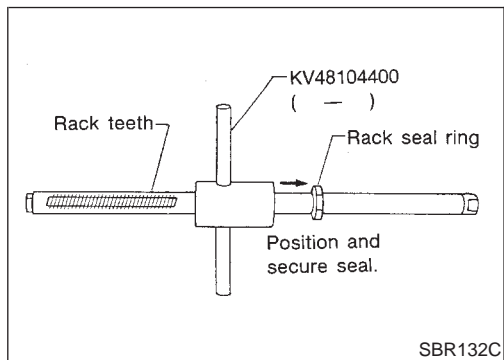
1. Using a heat gun, heat new teflon rack seal ring to approximately 40°C (104°F). Then place it onto rack.

PD

AX

SU

BR



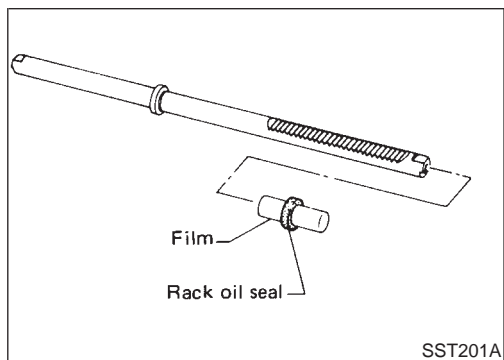
2. Using Tool, compress rack seal ring securely on rack.  
**Always insert Tool from the rack gear side.**

ST

RS

BT

HA



3. Insert new rack oil seal.
  - Place plastic film into rack oil seal to prevent damage by rack teeth.
  - Do not forget to remove plastic film after rack oil seal is positioned properly.
  - Make sure lips of rack oil seal face each other.

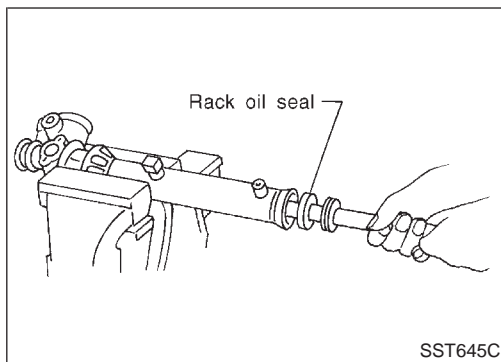
SC

EL

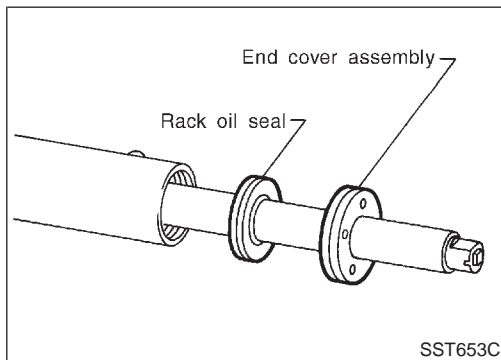
IDX

# POWER STEERING GEAR AND LINKAGE

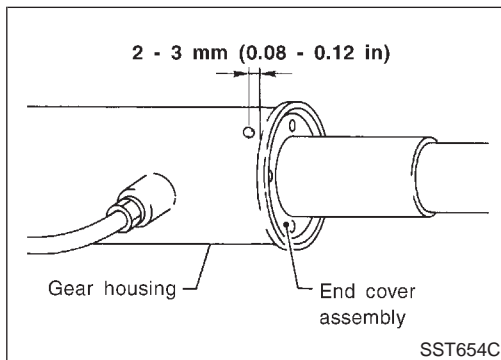
Assembly (Cont'd)



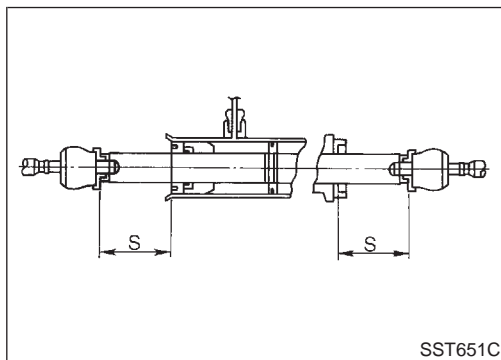
4. Install rack oil seal and rack bushing with rack assembly.



5. Insert rack oil seal and end cover assembly to rack. Then tighten end cover assembly.



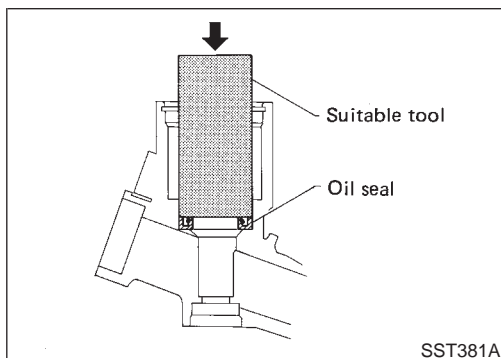
6. Fasten cylinder end cover assembly to gear housing by staking.



7. Set rack gear in the neutral position.

**Rack stroke "S":**

**Refer to SDS, ST-33.**

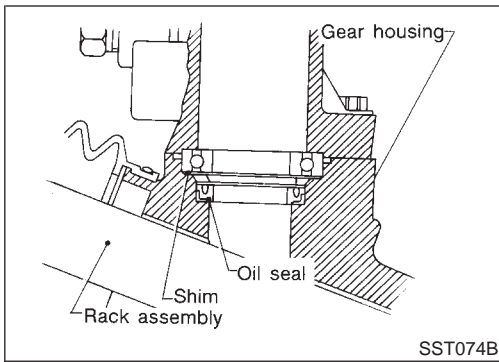


8. Coat seal lip of new pinion oil seal with multi-purpose grease. Install it into pinion housing of gear with a suitable tool.

**Make sure lip of oil seal faces up when installed.**

# POWER STEERING GEAR AND LINKAGE

Assembly (Cont'd)



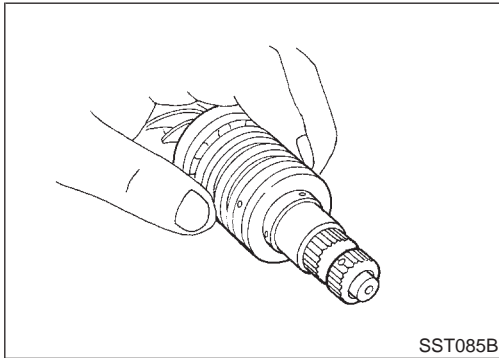
9. Install pinion bearing adjusting shim(s).
  - Whenever pinion assembly, gear housing and rear housing are disassembled, replace shim(s) with new ones. Always use the same number of shim(s) when replacing.

GI

MA

EM

LC



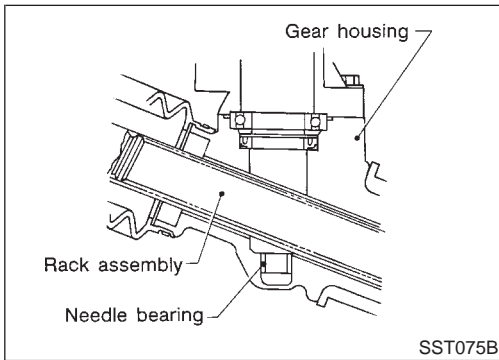
10. Install new pinion seal ring (made of Teflon) on pinion gear assembly.
  - Using a heat gun, heat pinion seal ring to approximately 40°C (104°F) before installing it onto pinion gear assembly.
  - Make sure pinion seal ring is properly settled in valve groove.

EC

FE

AT

TF



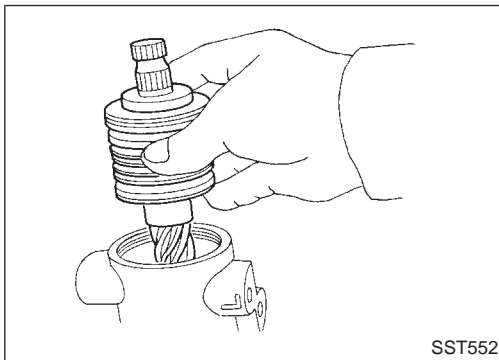
11. Apply a coat of multi-purpose grease to needle bearing roller and oil seal lip.

PD

AX

SU

BR



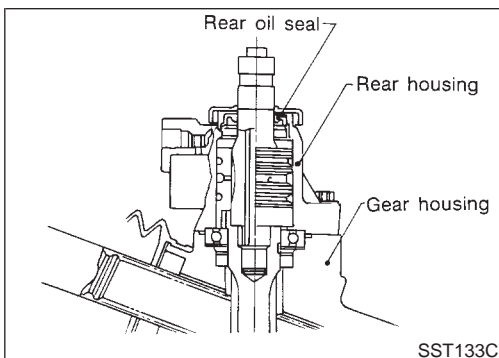
12. Install pinion assembly to rear housing.  
**Be careful not to damage pinion oil seal.**

**ST**

RS

BT

HA



13. Apply a coat of multi-purpose grease to new rear oil seal lip before installing rear housing.

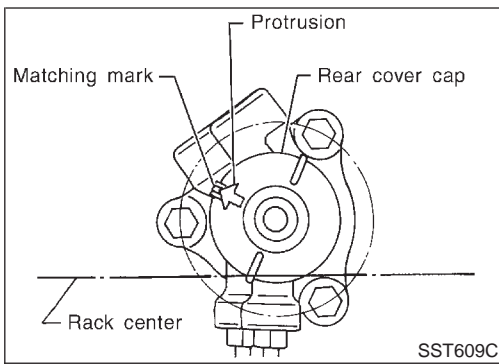
SC

EL

IDX

# POWER STEERING GEAR AND LINKAGE

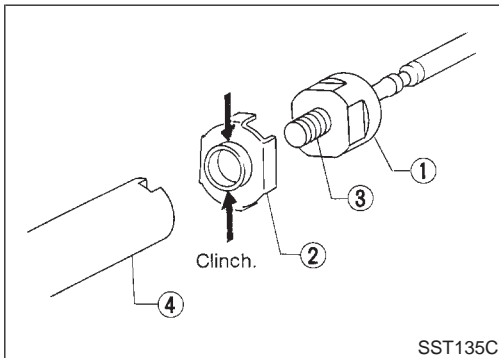
Assembly (Cont'd)



14. Ensure that the rack is centered. Install rear cover cap so that its protrusion is positioned as shown in figure.

**Be careful not to damage worm ring and oil seal.**

15. Install retainer, spring and adjusting screw temporarily.

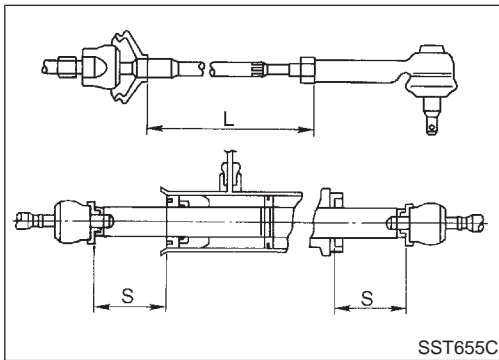


16. Install new lock plate.

- Attach lock plate 2 to side rod inner socket 1.
- Apply locking sealant to inner socket threads 3. Screw inner socket into rack 4 and tighten to specified torque.
- Clinch two places of lock plate at rack's groove.

**CAUTION:**

To prevent scratching the boot, remove burrs from lock plate.



17. Tighten outer socket lock nut.

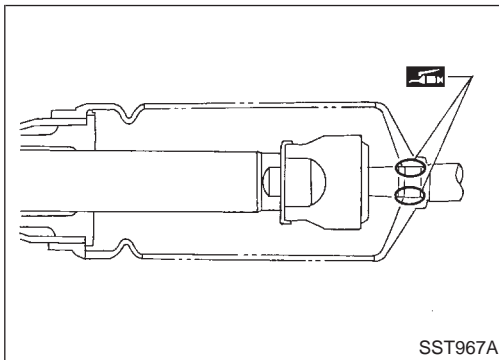
**Tie-rod length "L":**

**Refer to SDS, ST-33.**

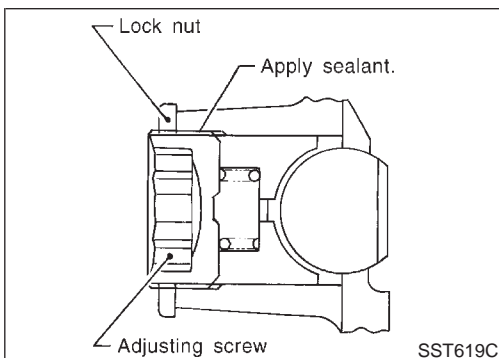
18. Measure rack stroke.

**Rack stroke "S":**

**Refer to SDS, ST-33.**



19. Before installing boot, coat the contact surfaces between boot and tie-rod with grease.



## Adjustment

NBST0031

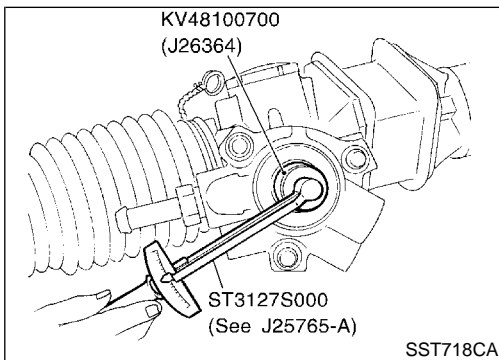
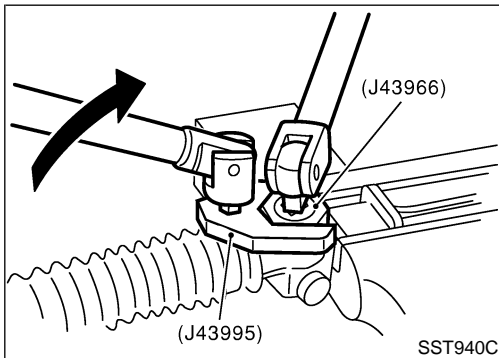
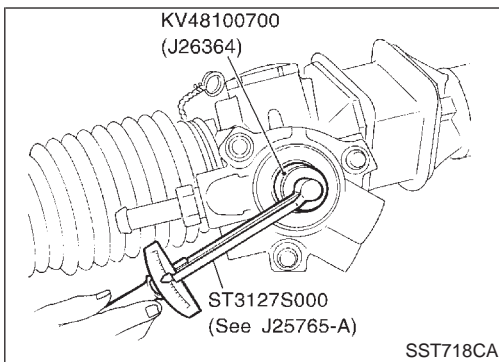
Adjust pinion rotating torque as follows:

1. Set rack to the neutral position without fluid in the gear.
2. Coat the adjusting screw with locking sealant and screw it in.
3. Lightly tighten lock nut.
4. Tighten adjusting screw to a torque of 4.9 to 5.9 N·m (50 to 60 kg-cm, 43 to 52 in-lb).
5. Loosen adjusting screw, then retighten it to 0.2 N·m (2 kg-cm, 1.7 in-lb).



# POWER STEERING GEAR AND LINKAGE

Adjustment (Cont'd)



6. Move rack over its entire stroke several times.
7. Measure pinion rotating torque within the range of 180° from neutral position.  
Stop the gear at the point of maximum torque.
8. Loosen adjusting screw, then retighten it to 4.9 to 5.9 N·m (50 to 60 kg·cm, 43 to 52 in·lb).
9. Loosen adjusting screw by 10° to 20°.

10. Prevent adjusting screw from turning, and tighten lock nut to specified torque.

11. Measure pinion rotating torque.

**Lock to lock:**

**Average rotating torque**

**0.78 - 1.47 N·m (8.0 - 15.0 kg·cm, 6.9 - 13.0 in·lb)**

**Within ±100° from the neutral position:**

**Maximum torque variation**

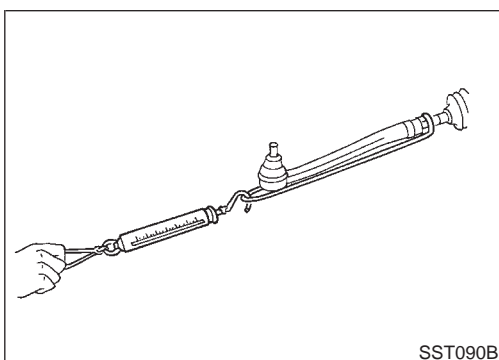
**0.4 N·m (4 kg·cm, 3.5 in·lb)**

**Outside the above range:**

**Maximum force variation**

**0.6 N·m (6 kg·cm, 5.2 in·lb)**

- If pinion rotating torque is not within specifications, readjust it starting from step 4. If pinion rotating torque is still out of specifications after readjustment, replace steering gear assembly.



12. Check rack sliding force on vehicle as follows:
  - a. Install steering gear onto vehicle, but do not connect tie-rod to knuckle arm.
  - b. Connect all piping and fill with steering fluid.
  - c. Start engine and bleed air completely.
  - d. Disconnect steering column lower joint from the gear.
  - e. Keep engine at idle and make sure steering fluid has reached normal operating temperature.
  - f. Pull tie-rod slowly to move it from neutral position to ±11.5 mm (±0.453 in) at speed of 3.5 mm (0.138 in)/s. Check that rack sliding force is within specification.

GI  
MA  
EM  
LC  
EC  
FE  
AT  
TF  
PD  
AX  
SU  
BR  
ST  
RS  
BT  
HA  
SC  
EL  
IDX

## POWER STEERING GEAR AND LINKAGE

Adjustment (Cont'd)

---

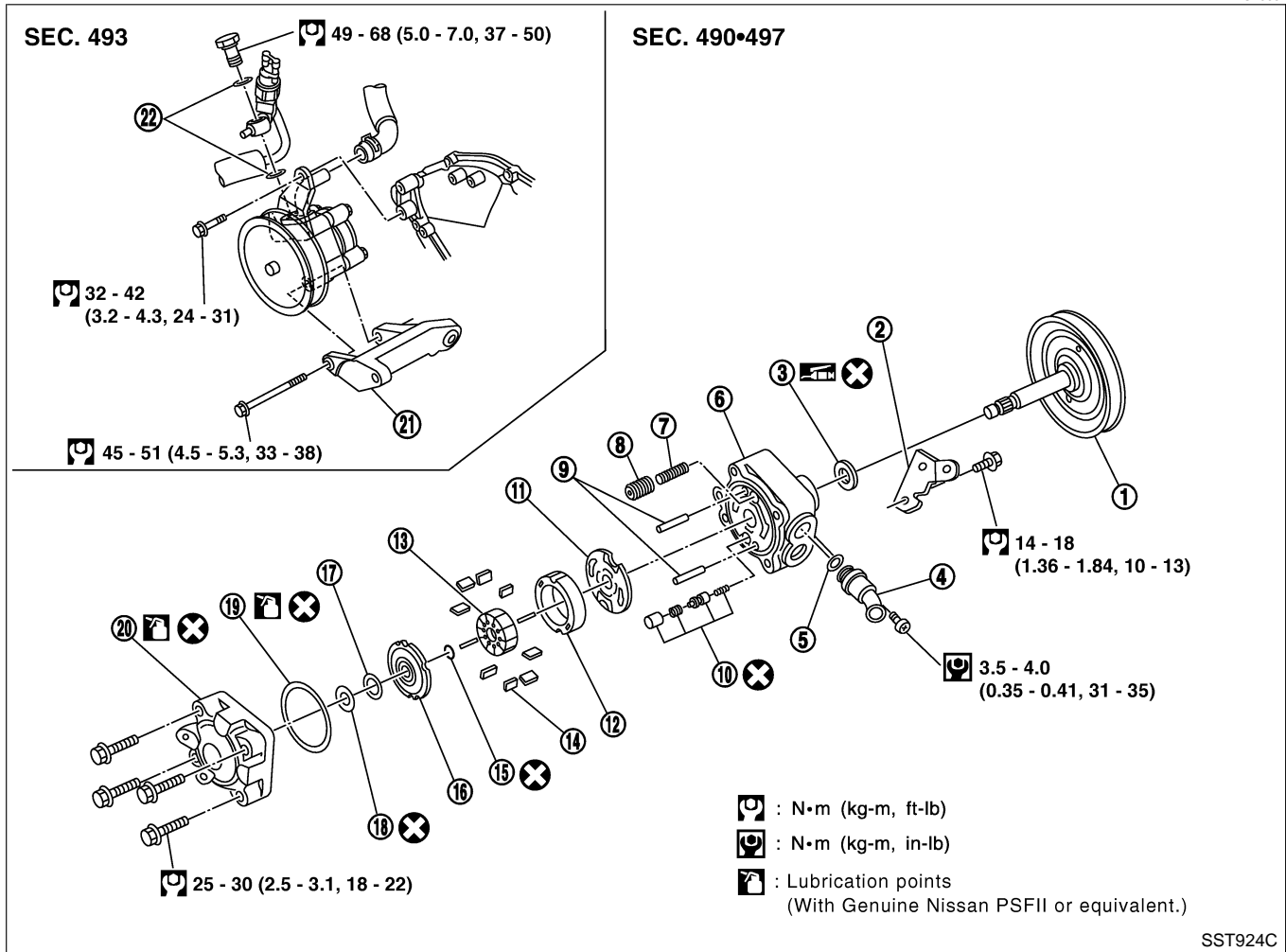
### Rack sliding force:

**167 - 254 N (17.0 - 25.9 kg, 37 - 57 lb)**

- If rack sliding force is not within specification, readjust by repeating adjustment procedure from the beginning.
- If rack sliding force is still out of specification after readjustment, gear assembly needs to be replaced.

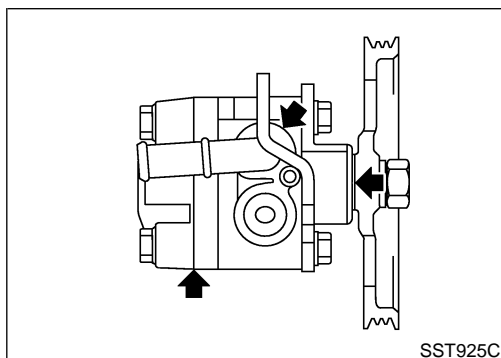
## Components

NBST0032



SST924C

- |                              |                                   |                                 |
|------------------------------|-----------------------------------|---------------------------------|
| 1. Pulley                    | 9. Dowel pin                      | 16. Side plate (Rear)           |
| 2. Front bracket             | 10. Flow control B valve assembly | 17. Side plate inner seal       |
| 3. Oil seal                  | 11. Side plate (Front)            | 18. Side plate outer seal       |
| 4. Suction pipe              | 12. Cam ring                      | 19. O-ring                      |
| 5. O-ring                    | 13. Rotor                         | 20. Rear cover                  |
| 6. Casing                    | 14. Vane                          | 21. Power steering pump bracket |
| 7. Flow control valve spring | 15. Snap ring                     | 22. Copper washer               |
| 8. Flow control A valve      |                                   |                                 |



### Pre-disassembly Inspection

NBST0033

Disassemble the power steering oil pump only if the following items are found.

- Oil leak from any point shown in the figure.
- Deformed or damaged pulley.
- Poor performance.

GI  
MA  
EM  
LC  
EC  
FE  
AT  
TF  
PD  
AX  
SU  
BR  
ST  
RS  
BT  
HA  
SC  
EL  
IDX

# POWER STEERING OIL PUMP

Disassembly

NBST0034

## Disassembly

### CAUTION:

- Parts which can be disassembled are strictly limited. Never disassemble parts other than those specified.
- Disassemble in as clean a place as possible.
- Clean your hands before disassembly.
- Do not use rags; use nylon cloths or paper towels.
- Follow the procedures and cautions in the Service Manual.
- When disassembling and reassembling, do not let foreign matter enter or contact the parts.

1. Fix power steering pump to vise.

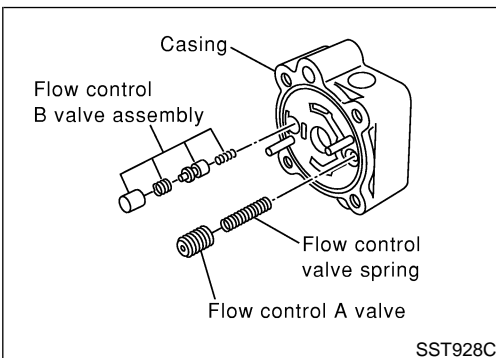
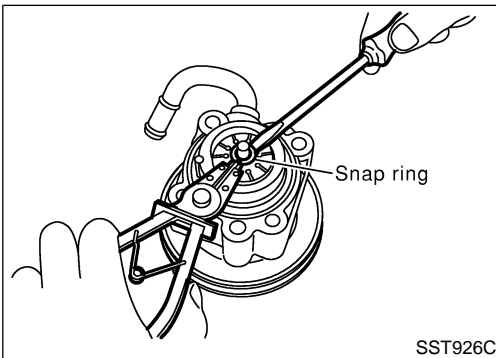
### CAUTION:

When fixing the pump to vise, use an aluminum plate or such to avoid damaging the fitting plane of the steering pump.

2. Remove the front bracket mounting bolt, and remove the front bracket from the casing.
3. Remove the rear cover mounting bolt, and remove the rear cover from the casing.
4. Remove the O-ring from the casing.
5. Remove side plate (rear side) from cam ring, then remove side plate inner/outer seals from side plate (rear side).
6. Remove rotor snap ring using snap ring pliers, and remove pulley from casing.

### CAUTION:

Do not damage pulley shaft when removing rotor snap ring.



7. Remove the followings from casing.

- Cam ring
- Rotor
- Vane
- Side plate (front side)
- Flow control A valve
- Flow control valve spring
- Flow control B valve assembly

### CAUTION:

Be careful not to drop flow control valve.

8. Remove inlet connector mounting bolt, and remove inlet connector from casing.
9. Remove inlet connector seal from inlet connector.
10. Remove drive shaft seal from casing with a screwdriver.

### CAUTION:

Do not damage casing surface with the screwdriver.

## Inspection

NBST0035

- If pulley is cracked or deformed, replace it.
- If an oil leak is found around pulley shaft oil seal, replace the seal.
- Check the casing and the inside of the rear body for damage. If damages are found in the rear body, replace the entire rear body. If the casing is damaged, replace the entire power steering pump as an assembly.
- Check the cam ring for damage. If damage is found, replace the cam ring, rotor and vane as a set.
- Check the side plates (front and rear) for damage. If damage is found, replace the side plates as a set (front and rear).

GI

MA

EM

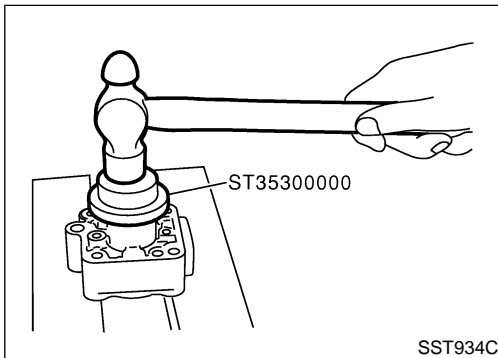
LC

EC

FE

AT

TF



## Assembly

NBST0036

1. Apply grease to the lip of the drive shaft seal, and attach the casing.

### CAUTION:

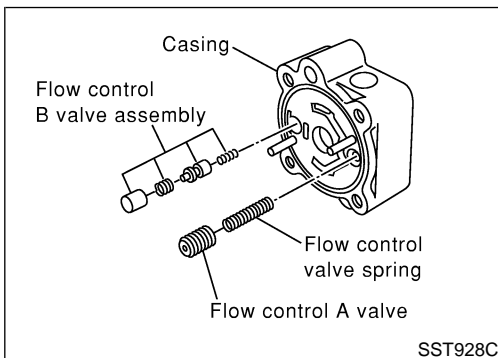
The drive shaft seal cannot be reused. Always replace after every disassembly.

PD

AX

SU

BR



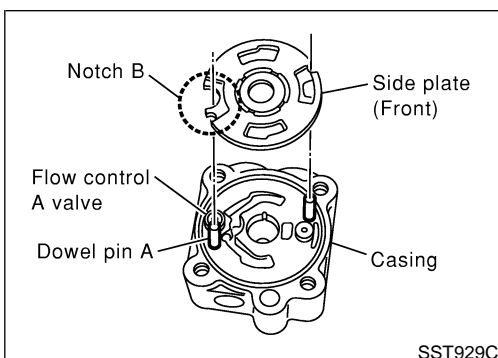
2. When removing the dowel pin, if it is difficult to insert with your hands, insert into the casing by tapping lightly with a hammer or similar tool.
3. Attach the flow control A valve, flow control valve spring, and the flow control B valve assembly to the locations indicated in the drawing left.

ST

RS

BT

HA



4. Match the dowel pin A on the flow control A valve side with the notch B of the side plate (front), and attach the side plate (front) to the casing.

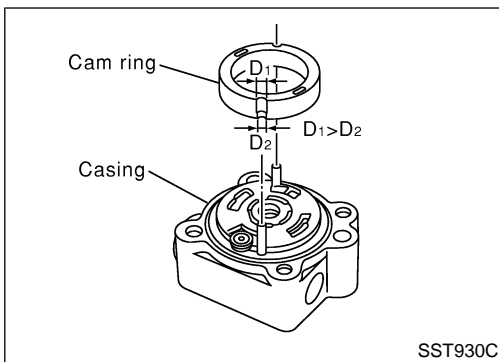
SC

EL

IDX

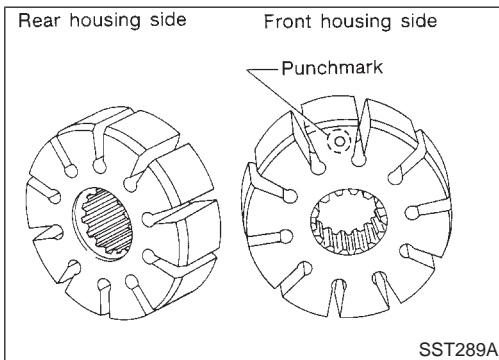
# POWER STEERING OIL PUMP

Assembly (Cont'd)

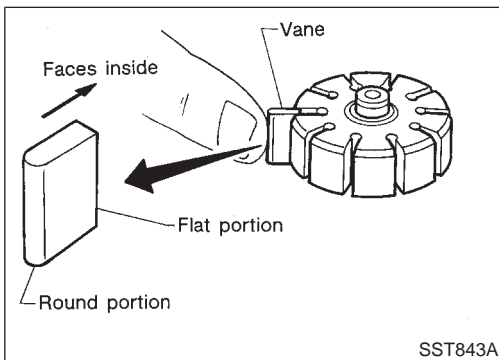


5. Face the cam ring side with fewer pores towards the casing, and attach the cam ring on top of the side plate (front).
6. Attach the pulley to the casing.

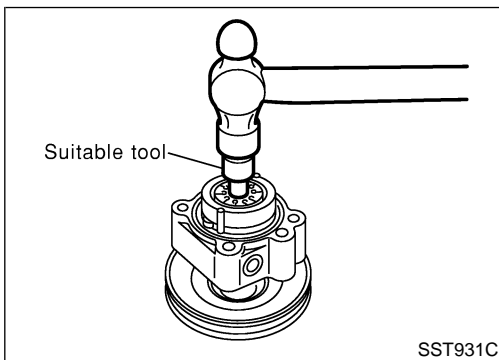
**CAUTION:**  
Attach with care so as not to damage the drive shaft seal.



7. Face the side of the rotor with the punch mark towards the casing, and attach the rotor to the pulley shaft.



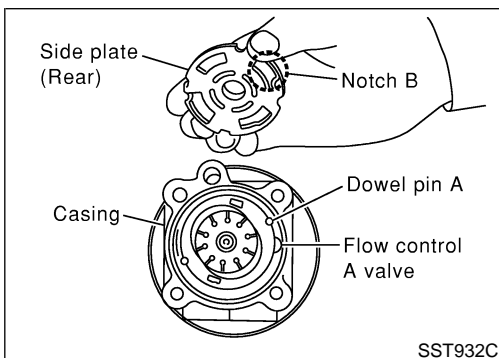
8. Attach the vane to the rotor so that the vane's arc touches the cam ring.



9. Use a hammer or suitable tool to insert the rotor snap ring into the pulley shaft channel.

**CAUTION:**

- The rotor snap ring cannot be reused. Always replace after every disassembly.
- Insert with care so as not to damage the rotor or the pulley shaft.
- If the rotor is damaged, replace the power steering as an assembly.



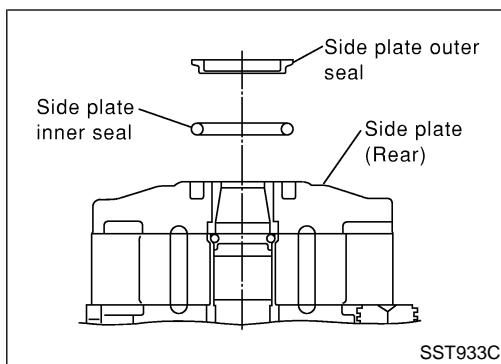
10. Match the dowel pin A on the flow control A valve side with the notch B of the side plate (rear), and attach the side plate (rear) to the cam ring.

11. Apply Genuine Nissan PSF II or equivalent to O-ring and attach to the casing.

**CAUTION:**  
The O-ring cannot be reused. Always replace after every disassembly.

# POWER STEERING OIL PUMP

Assembly (Cont'd)



12. Attach a side plate inner seal and side plate outer seal with Genuine Nissan PSF II or equivalent applied, to the side plate (rear).

**CAUTION:**

The side plate inner seal and outer seal cannot be reused. Always replace after every disassembly.

13. Set the power steering pump on the vice.

**CAUTION:**

When securing to the vice, use an aluminum plate or other material to protect the installation surface of the power steering pump from damage.

14. Attach the rear body to the casing, and secure the bolts (4 bolts) in a diagonal order to the specified torque.
15. Attach the front bracket to the casing, and secure the bolts (2 bolts) to the specified torque.
16. Attach the inlet collector seal to the grooves of the inlet collector, and attach the inlet collector to the casing with attachment bolts.

**CAUTION:**

The inlet collector seal cannot be reused. Always replace after every disassembly.

GI

MA

EM

LC

EC

FE

AT

TF

PD

AX

SU

BR

**ST**

RS

BT

HA

SC

EL

IDX

# SERVICE DATA AND SPECIFICATIONS (SDS)

## General Specifications

### General Specifications

NBST0037

Applied model	All
Steering model	Power steering
Steering gear type	PR32K
Steering overall gear ratio	17.2
Turns of steering wheel (Lock to lock)	3.09
Steering column type	Collapsible, tilt

### Steering Wheel

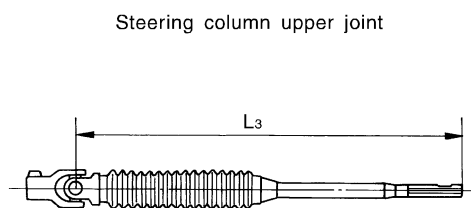
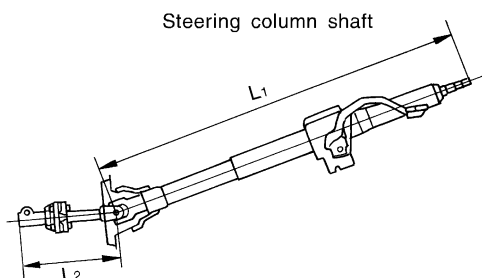
NBST0038  
Unit: mm (in)

Steering wheel axial play	0 (0)
Steering wheel play	35 (1.38) or less
Movement of gear housing	$\pm 2$ ( $\pm 0.08$ ) or less

### Steering Column

NBST0039  
Unit: mm (in)

Steering column length "L <sub>1</sub> "	716.7 - 718.7 (28.22 - 28.30)
Steering column lower shaft length "L <sub>2</sub> "	178 - 180 (7.01 - 7.09)
Steering column upper joint length "L <sub>3</sub> "	430.7 - 432.7 (16.96 - 17.04)



SST739C

### Steering Transfer Gear

NBST0041

Rotating torque	0.25 - 0.69 N·m (2.5 - 7.0 kg·cm, 2.2 - 6.1 in·lb)
-----------------	--



# SERVICE DATA AND SPECIFICATIONS (SDS)

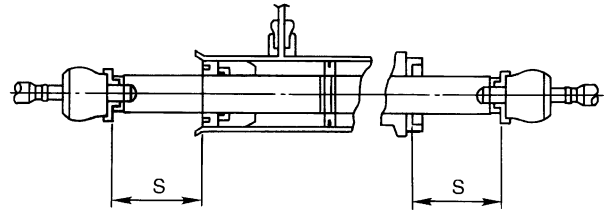
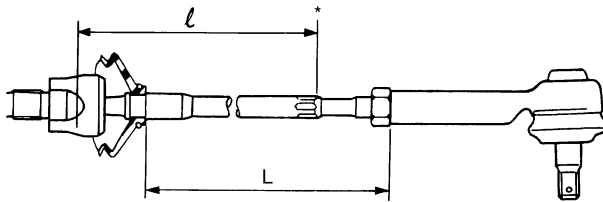
Steering Gear and Linkage

## Steering Gear and Linkage

NBST0040

Applied model	All	
Steering gear type	PR32K	
Tie-rod outer ball joint	Swinging force at cotter pin hole: "A"	4.9 - 47.1 N (0.5 - 4.8 kg, 1.1 - 10.6 lb)
	Rotating torque: "B"	0.3 - 2.9 N·m (3 - 30 kg·cm, 2.6 - 26.0 in·lb)
	Axial end play: "C"	0.1 mm (0.004 in) or less
Tie-rod inner ball joint	Swinging force*: "A"	3.9 - 32.4 N (0.4 - 3.3 kg, 0.9 - 7.3 lb)
	Axial end play: "C"	0.3 mm (0.012 in) or less
Tie-rod standard length "L"	200 mm (7.87 in)	
Rack stroke "S"	72.0 mm (2.835 in)	
Pinion gear preload without gear fluid	Lock to lock Average rotating torque	0.78 - 1.47 N·m (8.0 - 15.0 kg·cm, 6.9 - 13.0 in·lb)
	Within $\pm 100^\circ$ from the neutral position Maximum torque variation	0.4 N·m (4 kg·cm, 3.5 in·lb)
	Outside the above range Maximum torque variation	0.6 N·m (6 kg·cm, 5.2 in·lb)

\*: Measuring point [ $l$ : 240 mm (9.45 in)]



SST740C

## Power Steering

NBST0042

Steering gear type	PR32K	
Rack sliding force Under normal operating oil pressure	137 - 255 N (14 - 26 kg, 31 - 57 lb)	
Retainer adjustment (Adjustment screw)	Initial tightening torque	4.9 - 5.9 N·m (50 - 60 kg·cm, 43 - 52 in·lb)
	Retightening torque after loosening	0.2 N·m (2 kg·cm, 1.7 in·lb)
	Tightening torque after gear has settled	4.9 - 5.9 N·m (50 - 60 kg·cm, 43 - 52 in·lb)
	Returning angle	10° - 20°
Steering wheel turning force (Measured at one full turn from the neutral position)	39 N (4 kg, 9 lb) or less	
Fluid capacity (Approximate)	0.9ℓ (1 US qt, 3/4 Imp qt)	
Oil pump maximum pressure	8,630 - 9,219 kPa (88 - 94 kg/cm <sup>2</sup> , 1,251 - 1,337 psi)	

## NOTES